

# Mission Changing Motor

**MITSUBA**

株式会社 ミツバ

## Function

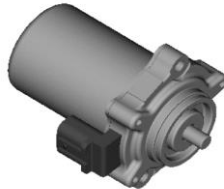
- Assists shifting gears of motorcycles, etc.

## Mitsuba Model: AZ12

- Motor type: Brushed
- Release year: 2006
- Vehicles where product can be installed: Two-wheeled ICE (internal combustion engine) vehicles, four-wheeled buggies, etc.

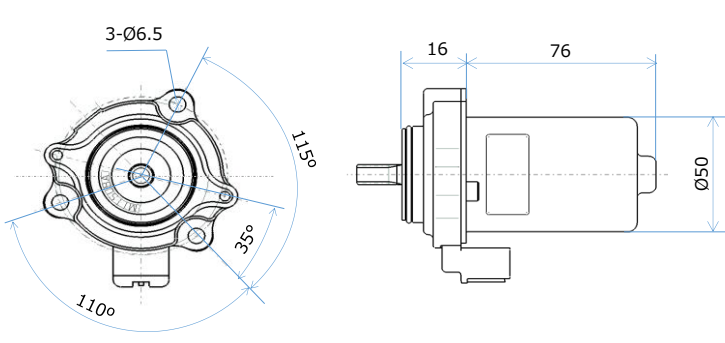
## Features

- A brushed motor with a shock-resistant and heat-resistant reduction gear, and designed according to the basic structure of a motorcycle starter motor
- A single motor unit that can be rotated forward and in reverse by changing the voltage applied to the positive and negative poles
- A motor that is airtight and versatile enough to be mounted to engines, missions, and suspensions



**AZ12**

## Motor Specifications and Appearance

Approximate dimensions (mm)		
Voltage	12 V	
Lock	Torque	Min. 0.61 Nm
	Current	Max. 42 A
No load	Rotational speed	Min. 3500 rpm
	Current	Max. 3 A
Weight	700 g	

	AZ12
Maximum motor output	80 W

## Country of Manufacture

- Japan