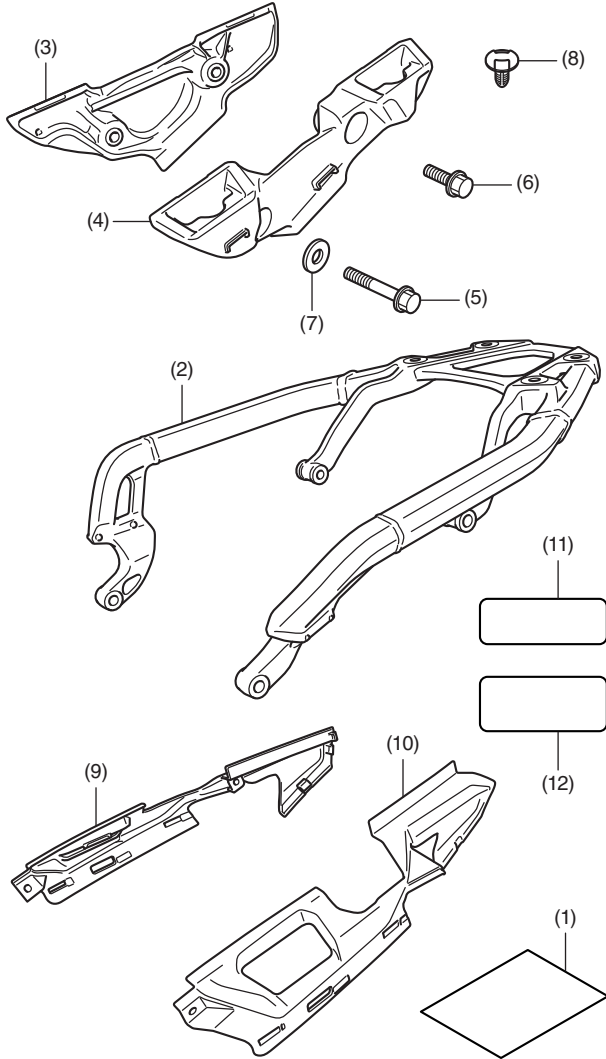


Honda Dealer: Please give a copy of these instructions to your customer.

PARTS LIST



No.	Description	Qty
(1)	Installation Instruction URL	1
(2)	Rear carrier	1
(3)	Right pannier bracket	1
(4)	Left pannier bracket	1
(5)	8 mm flange bolt	4
(6)	8 mm bolt	2
(7)	Washer	4
(8)	Clip	4
(9)	Right pannier bracket cover	1
(10)	Left pannier bracket cover	1
(11)	Label (MKK-D00)	1
(12)	Label (KFG-900) (Not used.)	1

TOOLS AND SUPPLIES REQUIRED

- Socket (12 mm)
- Ratchet
- Ruler
- Isopropyl alcohol
- Shop towel
- Torque wrench

TORQUE CHART

Tighten all screws, bolts, and nuts to their specified torque values. Refer to the Service Manual for the torque values of the removed parts.

Item	N-m	kgf-m	lbf-ft
8 mm bolt	35	3.6	26
8 mm flange bolt	35	3.6	26

MAXIMUM LOADING CAPACITY

- The weight of the cargo must not exceed the following maximum loading capacity:

Maximum Loading Capacity	
Rear carrier	22 lb (10 kg)

INSTALLATION

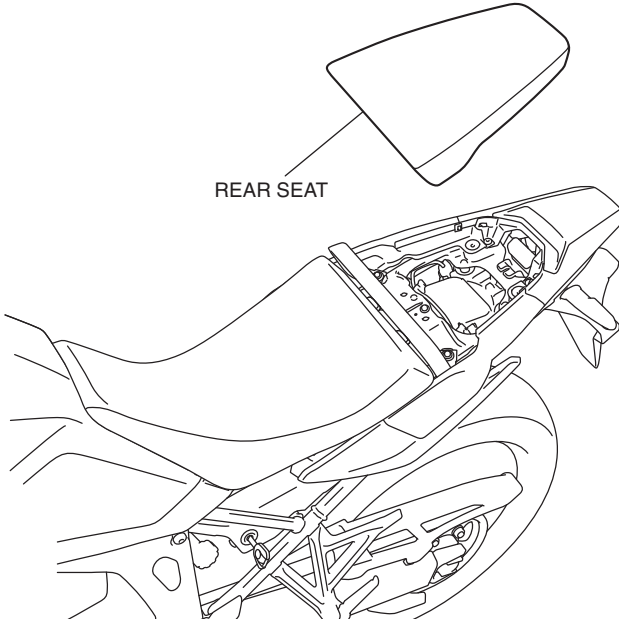
⚠ CAUTION

- To prevent burns, allow the engine, exhaust system, radiator, etc., to cool before installing the accessory.

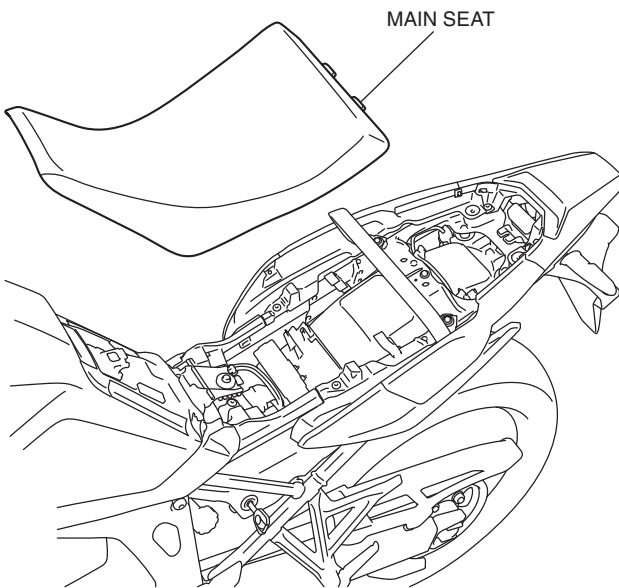
NOTE:

- Heat the bonding surfaces with a hair dryer if the ambient air temperature is below 70°F (21°C).
- The adhesive reaches full strength in 72 hours. Wait at least 24 hours before riding your motorcycle.

1. Remove the rear seat as shown.



2. Remove the main seat as shown.

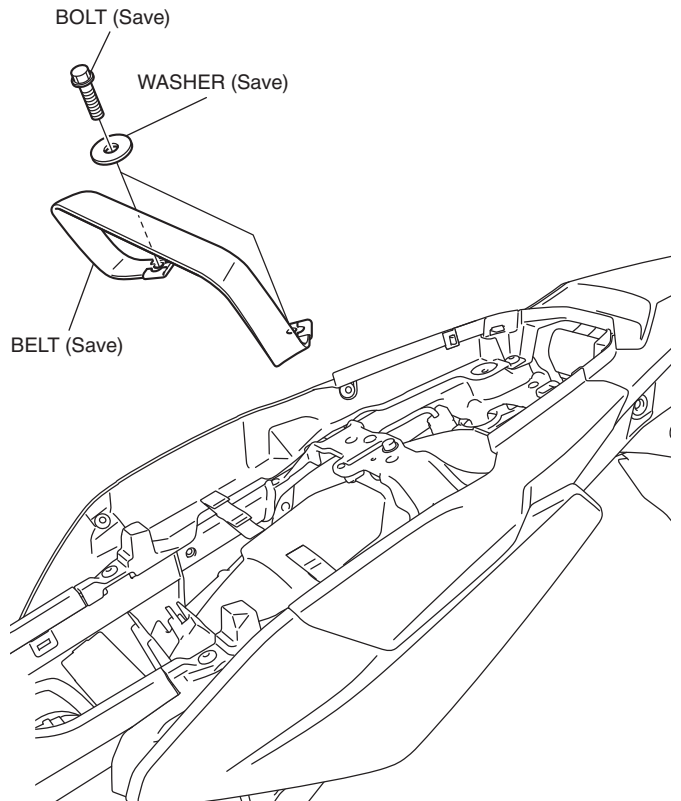


3. Remove the screws as shown.
 - Repeat on the right side.

<Left side>



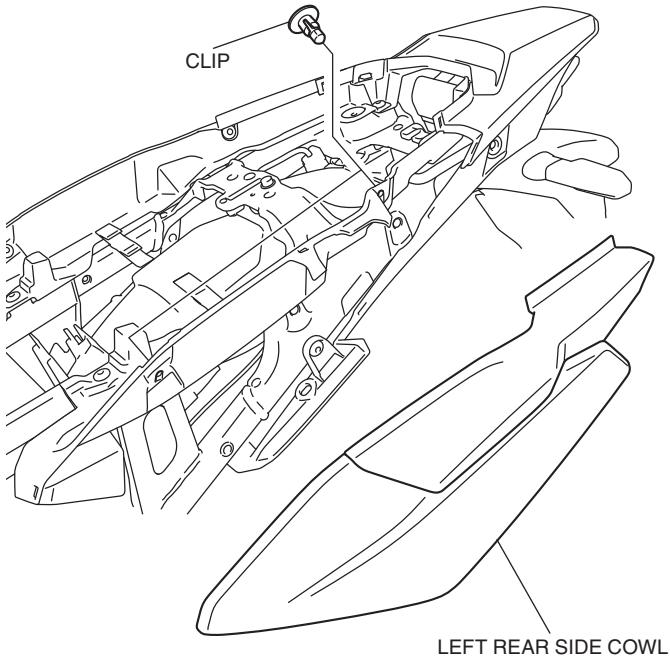
4. Remove the belt as shown.



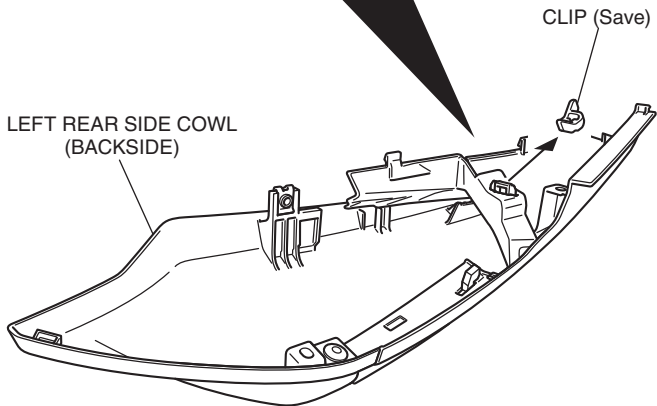
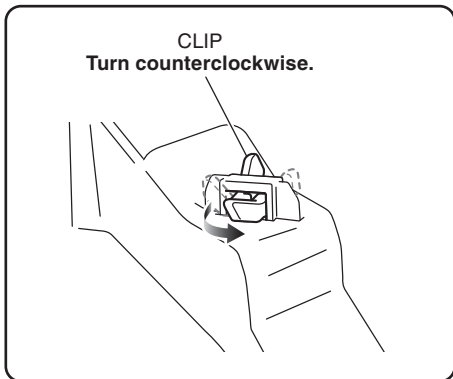
5. Remove the left rear side cowl as shown.

- Repeat on the right side.

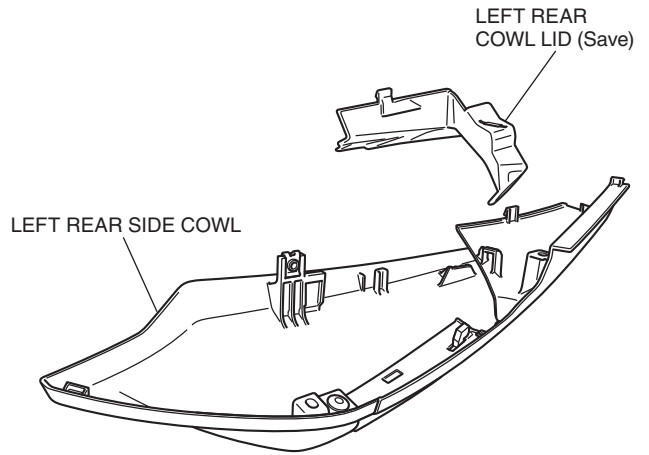
<Left side>



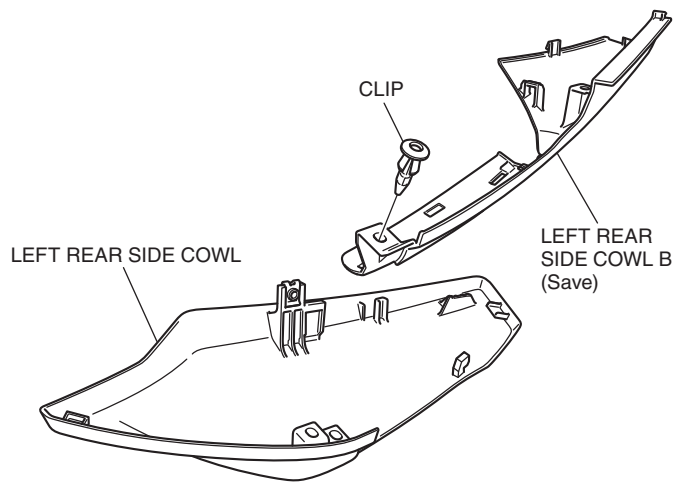
6. Remove the clip as shown.



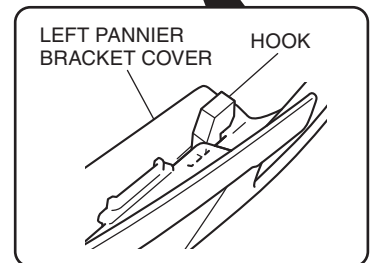
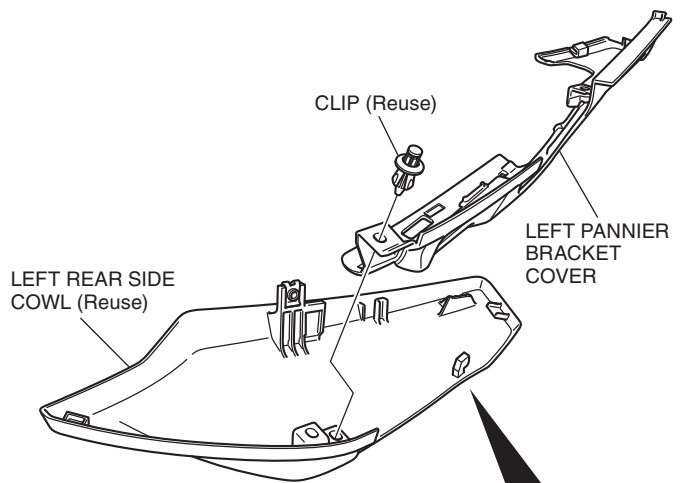
7. Remove the left rear cowl lid as shown.



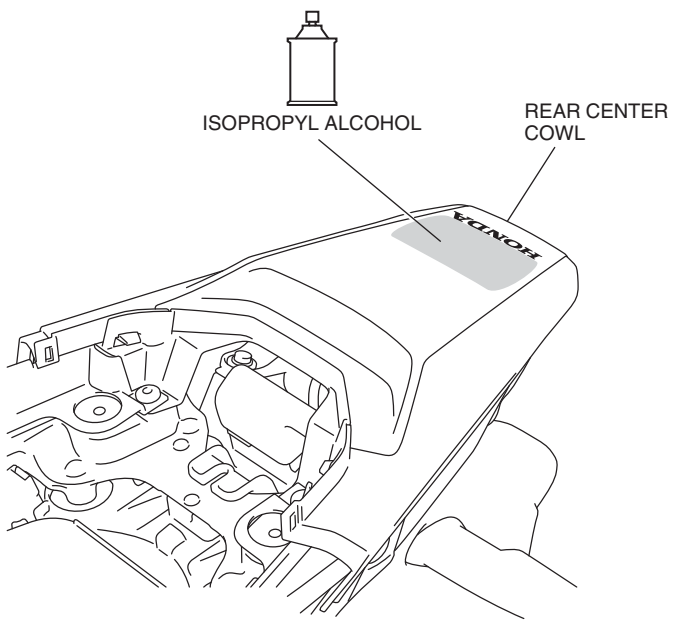
8. Remove the left rear side cowl B as shown.



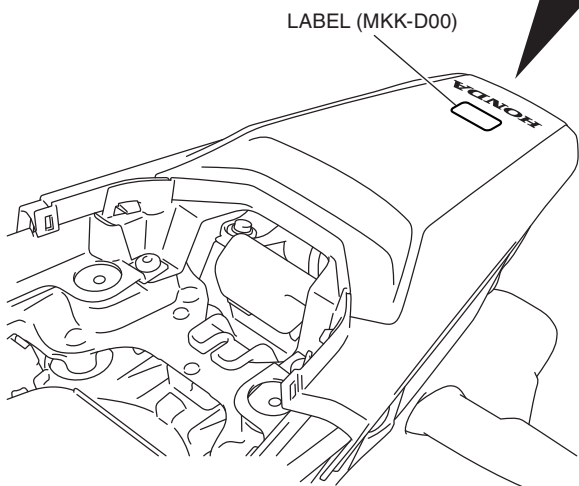
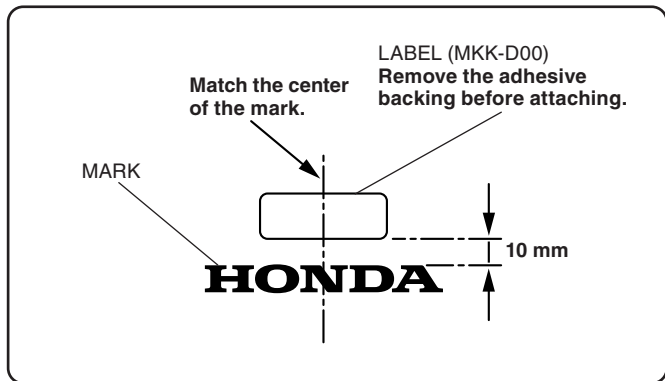
9. Install the left pannier bracket cover as shown.



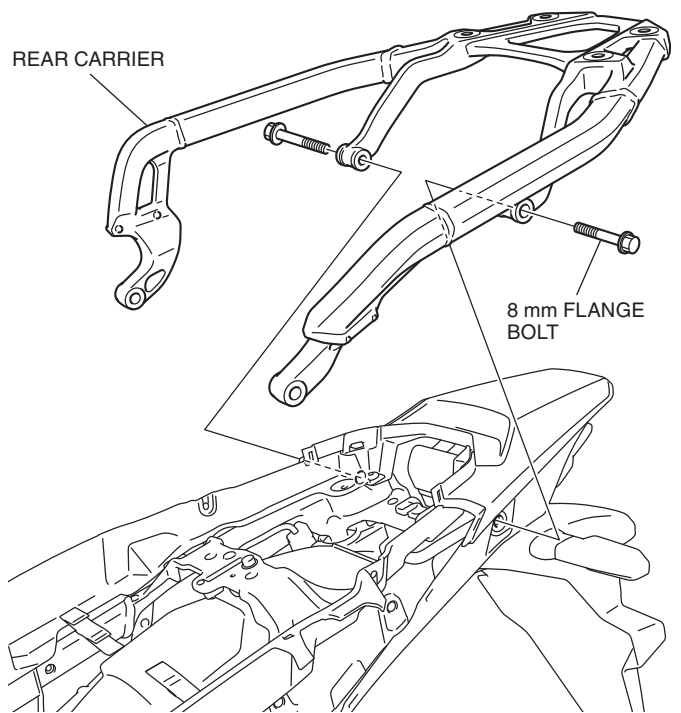
- 10. Install the right pannier bracket cover in the same manner as the left side.
- 11. Clean the surface of the area shown using isopropyl alcohol.



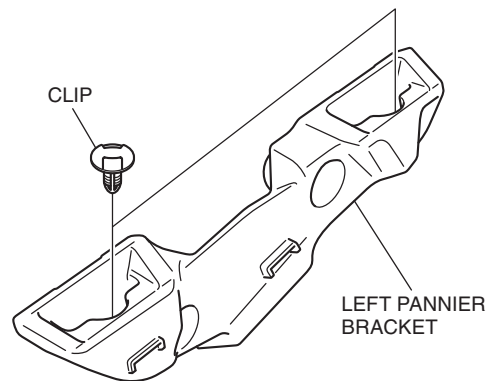
- 12. Attach the label as shown.



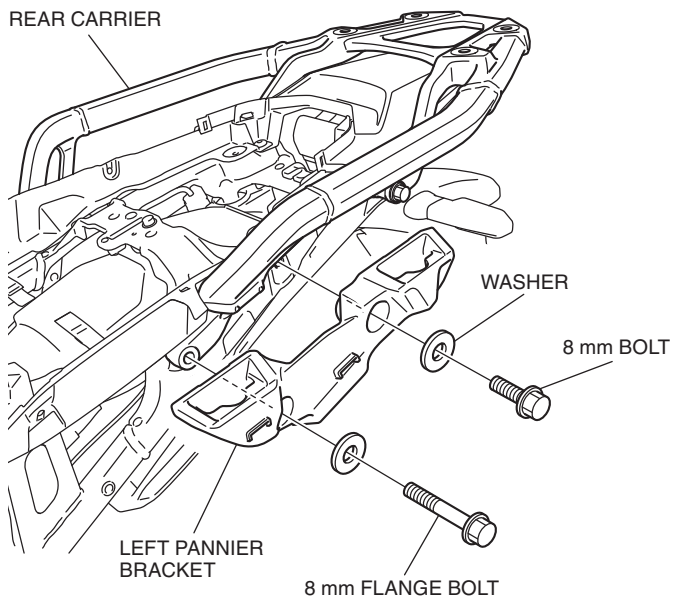
- 13. Loosely install the rear carrier as shown.



- 14. Install the clips as shown.

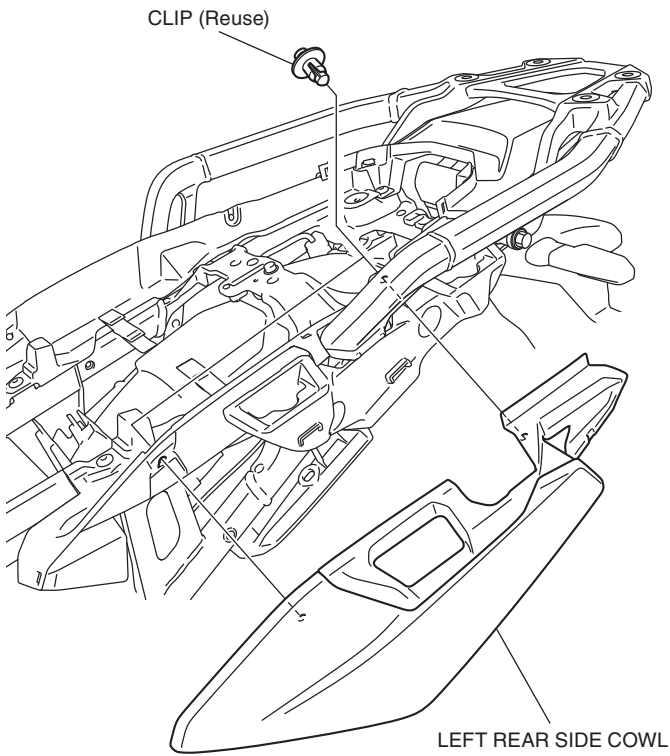


- 15. Loosely install the left pannier bracket as shown.
- <Left side>



16. Loosely install the right pannier bracket in the same manner as the left side.
17. Tighten the loosely installed parts securely.
18. Install the left rear side cowl as shown.
 - **Repeat on the right side.**

<Left side>



19. Install the motorcycle's parts in the reverse order of removal.